



H A Harman International Company

# CK 47

## Capsule Module

### Description

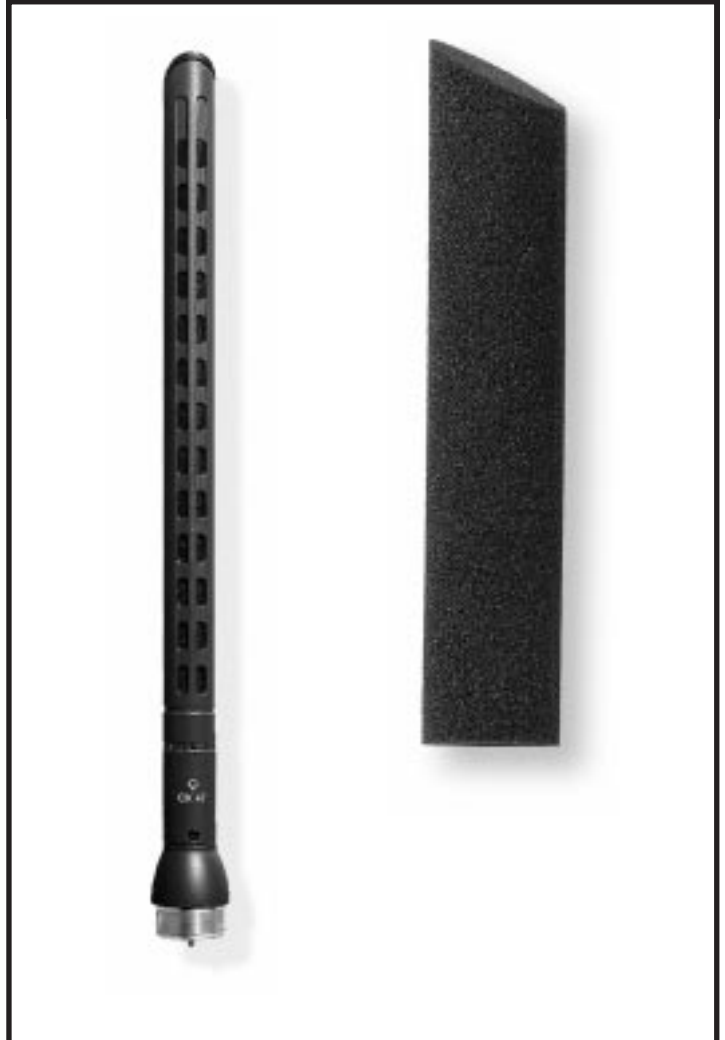
Screw on capsule module, fitting “Discreet Acoustics Modular” mounting modules, including W 70 wind-screen. The capsule has a hypercardioid pickup pattern, with a wide frequency range (20 to 20,000 Hz). Colour: grey

### Specifications

<b>Transducer Principle:</b>	condenser prepolarized
<b>Frequency Range:</b>	20–20,000 Hz
<b>Polar Pattern:</b>	hypercardioid
<b>Sensitivity at 1,000 Hz:</b>	16.5 mV/Pa $\hat{=}$ -35.5 dBV*
<b>Equivalent Noise Level:</b>	< 20 dB-A
<b>Sound Pressure Level for 1 % THD:</b>	133 dB
<b>S/N Ratio (A-weighted):</b>	> 74 dB
<b>Electr. Impedance:</b>	< 600 ohms
<b>Power Requirement:</b>	9 to 52 volts phantom power, requires DPA adapter (incl. in GN or HM modules)
<b>Finish:</b>	dark grey matte
<b>Size:</b>	13 $\varnothing$ x 128 mm (0.5 $\varnothing$ x 4.9 in.)
<b>Special Features/Applications:</b>	modular microphone system for conferencing, theatres, houses of worships and many others
<b>Fitting Mounting Modules:</b>	GN 15, GN 15 E, GN 30, GN 30 oc, GN 30 E, HM 1000
<b>Included Accessories:</b>	W 70 foam windscreen
<b>Optional Accessories:</b>	B 18 battery power supply N 62 E, N 66 E AC power supplies, PS 3 F-Lock panel mount socket, H 600 + A 608 shock mount, SA 40, SA 50 stand adapters, SA 80 clamp, ST 1, ST 5/3, ST 45, ST 46 table stands

### Features

- Screw on capsule
- Hypercardioid pickup pattern
- Studio quality - shotgun type
- Wide frequency range

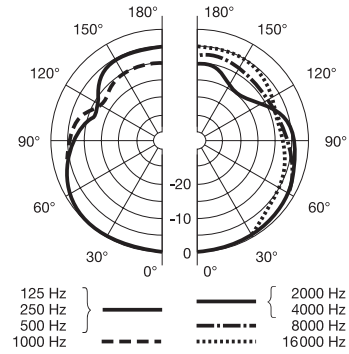
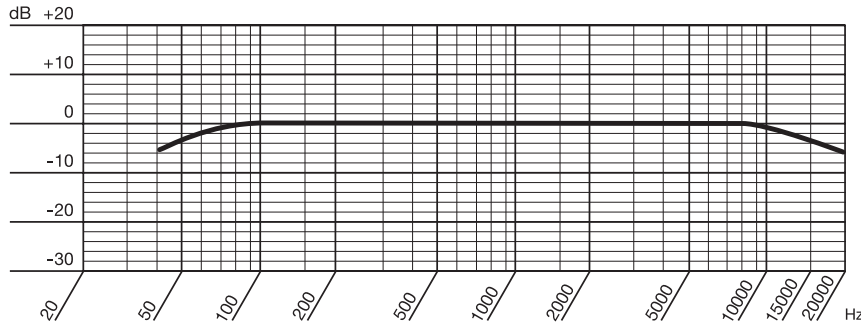


# Architect's and Engineer's Specifications

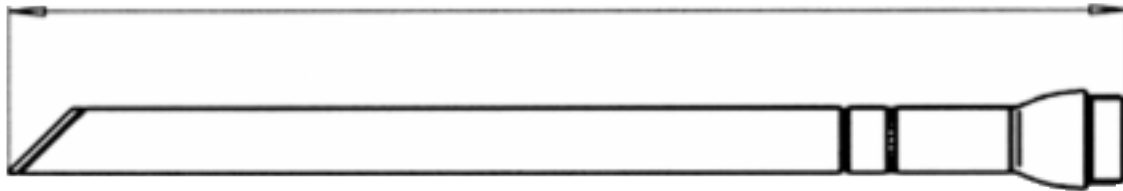
The capsule module shall be a fixed-charge condenser, shotgun type, with hypercardioid polar pattern and a frequency response of 20 to 20,000 Hz. It shall have a sensitivity of 16.5 mV/mPa. Powering shall be possible from 9 to 52 volts phantom power. It shall include a high performance windscreen.

It shall have a diameter of 13 mm (0.5 in.) and a screw on thread connection for the mounting module. The capsule shall be an AKG Acoustics CK 47.

## Graphical Data



153.5



AKG is constantly improving and modifying its products, therefore, specifications are subject to change without notice.

### Limited Warranty

Valid only in the United States. AKG Acoustics warrants AKG products against defects in material or workmanship for a period of one year from the date of original purchase for use, and agrees to repair or, at our option, replace any defective unit without charge for either parts or labor. Important: This warranty does not cover damage resulting from accident, misuse or abuse, lack of reasonable care, the affixing of any attachment not provided with the product, loss of parts or connecting the product to any but the specified receptacles. This warranty is void unless service or repairs are performed by an authorized service center.

No responsibility is assumed for any special, incidental or consequential damages. However, the limitation of any right or remedy shall not be effective where such is prohibited or restricted by law. Simply take or ship you AKG product prepaid to our service department. Be sure to include your sales slip as proof of purchase date. (We will not repair transit damage under the no-charge terms of this warranty.) Note: No other warranty, written or oral is authorized by AKG Acoustics, Inc. This warranty gives you specific legal rights, and you may also have other rights which vary from state to state. Some states do not allow the exclusion or limitation of incidental or consequential damages or limitation on how long an implied warranty lasts, so the above exclusions and limitation may not apply to you.

## Microphones · Headphones · Wireless Microphones · Wireless Headphones · Headsets · Electroacoustical Components



H A Harman International Company

**AKG Acoustics GmbH**  
Lemböckgasse 21-25, P.O.B. 158, A-1230 Vienna/AUSTRIA  
Tel: (43 1) 86 654-0\*, Fax: (43 1) 86 654-516  
Internet: <http://www.ake-acoustics.com>

**AKG Acoustics;** A Division of Harman Pro Germany  
Bodenseestraße 228, D-81243 München/GERMANY  
Tel: (089) 87 16-0, Fax: (089) 87 16-200

**Arbiter Pro Audio**  
Wilberforce Road, London NW9 6AX/ENGLAND  
Tel: (0181) 202 1199, Fax: (0181) 202 7076

**AKG ACOUSTICS, U.S.**  
1449 Donelson Pike, Airpark Business Centre 12,  
Nashville, TN 37217, U.S.A.  
Tel: (615) 360-0499, Fax: (615) 360-0275

**Studer Japan Ltd.**  
2-43-7, Uehara, Shibuya-ku, Tokyo 151-0064/JAPAN  
Tel: (813) 3465-2211, Fax: (813) 3465-2214

**Erikson Pro Audio**  
620 McCaffrey, St-Laurent, Quebec, H4T 1N1, CANADA  
Tel: (514) 738-3000, Fax: (514) 737-5069  
Internet: [www.jam-ind.com/eriksonpro](http://www.jam-ind.com/eriksonpro)



H A Harman International Company

# GN 30 E

## Gooseneck Module

### Description

378 mm (16.3 in.) long gooseneck module with integrated XLR phantom power adapter. A light ring, working on phantom power, is integrated to enable the sound engineer to check system cabling by sight. This ring can be also switched off.

A bass roll off is included in the phantom power adapter (DPA). The required phantom power is 9–52 V. Colour: grey.

### Specifications

**Powering:** 9 to 52 volts phantom power

**Phantom Power Adaptor (DPA):**

Integrated

**Connector:** 3-pin XLR type

**Cable Length:** none

**Finish:** dark grey matte

**Size:** 378 mm (16.3 in.) length

**Mounting:** screw on (screw included)

**Special Features/Applications:**

modular microphone system for conferencing, theatres, houses of worships and many other facilities

**Fitting Mounting Modules:**

CK 31, CK 32, CK 33, CK 47, CK 80

**Included Accessories:** PS 3 F lock lockable panelmount XLR socket

**Optional Accessories:** B 18 battery power supply, N 62 E, N 66 E AC power sup., PS 3 F-lock panel mount socket, H 600 + A 608 shock mount, SA 40, SA 50 stand adapters, SA 80 clamp, ST 1, ST 5/3, ST 45, ST 46 table stands

### Features

- Fitting 5 different capsule modules
- Integrated switchable LED indication
- Integrated bass roll off
- Rugged design
- Non reflective grey colour

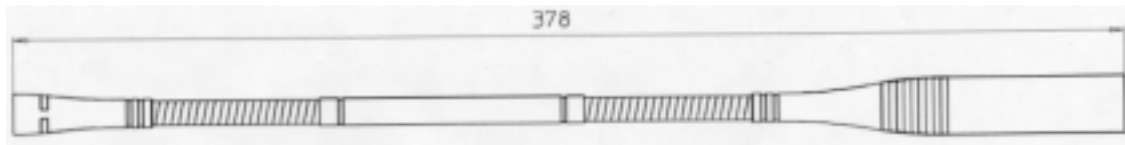


# Architect's and Engineer's Specifications

The mounting module should have a length of 378 mm (16.3 in.) and include a flexible part. A light ring shall be included, powered by phantom power, but with the possibility to be deactivated. The power module shall include a jumper for low frequency roll off and shall

terminate a 3-pin XLRM-type output connector. The colour shall be non reflective grey. The gooseneck module shall be the AKG Acoustics GN 30 E.

## Graphical Data



AKG is constantly improving and modifying its products, therefore, specifications are subject to change without notice.

### Limited Warranty

Valid only in the United States. AKG Acoustics warrants AKG products against defects in material or workmanship for a period of one year from the date of original purchase for use, and agrees to repair or, at our option, replace any defective unit without charge for either parts or labor. Important: This warranty does not cover damage resulting from accident, misuse or abuse, lack of reasonable care, the affixing of any attachment not provided with the product, loss of parts or connecting the product to any but the specified receptacles. This warranty is void unless service or repairs are performed by an authorized service center.

No responsibility is assumed for any special, incidental or consequential damages. However, the limitation of any right or remedy shall not be effective where such is prohibited or restricted by law. Simply take or ship you AKG product prepaid to our service department. Be sure to include your sales slip as proof of purchase date. (We will not repair transit damage under the no-charge terms of this warranty.) Note: No other warranty, written or oral is authorized by AKG Acoustics, Inc. This warranty gives you specific legal rights, and you may also have other rights which vary from state to state. Some states do not allow the exclusion or limitation of incidental or consequential damages or limitation on how long an implied warranty lasts, so the above exclusions and limitation may not apply to you.

## Microphones · Headphones · Wireless Microphones · Wireless Headphones · Headsets · Electroacoustical Components



H A Harman International Company

**AKG Acoustics GmbH**  
Lemböckgasse 21-25, P.O.B. 158, A-1230 Vienna/AUSTRIA  
Tel: (43 1) 86 654-0\*, Fax: (43 1) 86 654-516  
Internet: <http://www.akg-acoustics.com>

**AKG Acoustics;** A Division of Harman Pro Germany  
Bodenseestraße 228, D-81243 München/GERMANY  
Tel: (089) 87 16-0, Fax: (089) 87 16-200

**Arbiter Pro Audio**  
Wilberforce Road, London NW9 6AX/ENGLAND  
Tel: (0181) 202 1199, Fax: (0181) 202 7076

**AKG ACOUSTICS, U.S.**  
1449 Donelson Pike, Airpark Business Centre 12,  
Nashville, TN 37217, U.S.A.  
Tel: (615) 360-0499, Fax: (615) 360-0275

**Studer Japan Ltd.**  
2-43-7, Uehara, Shibuya-ku, Tokyo 151-0064/JAPAN  
Tel: (813) 3465-2211, Fax: (813) 3465-2214

**Erikson Pro Audio**  
620 McCaffrey, St-Laurent, Quebec, H4T 1N1, CANADA  
Tel: (514) 738-3000, Fax: (514) 737-5069  
Internet: [www.jam-ind.com/eriksonpro](http://www.jam-ind.com/eriksonpro)